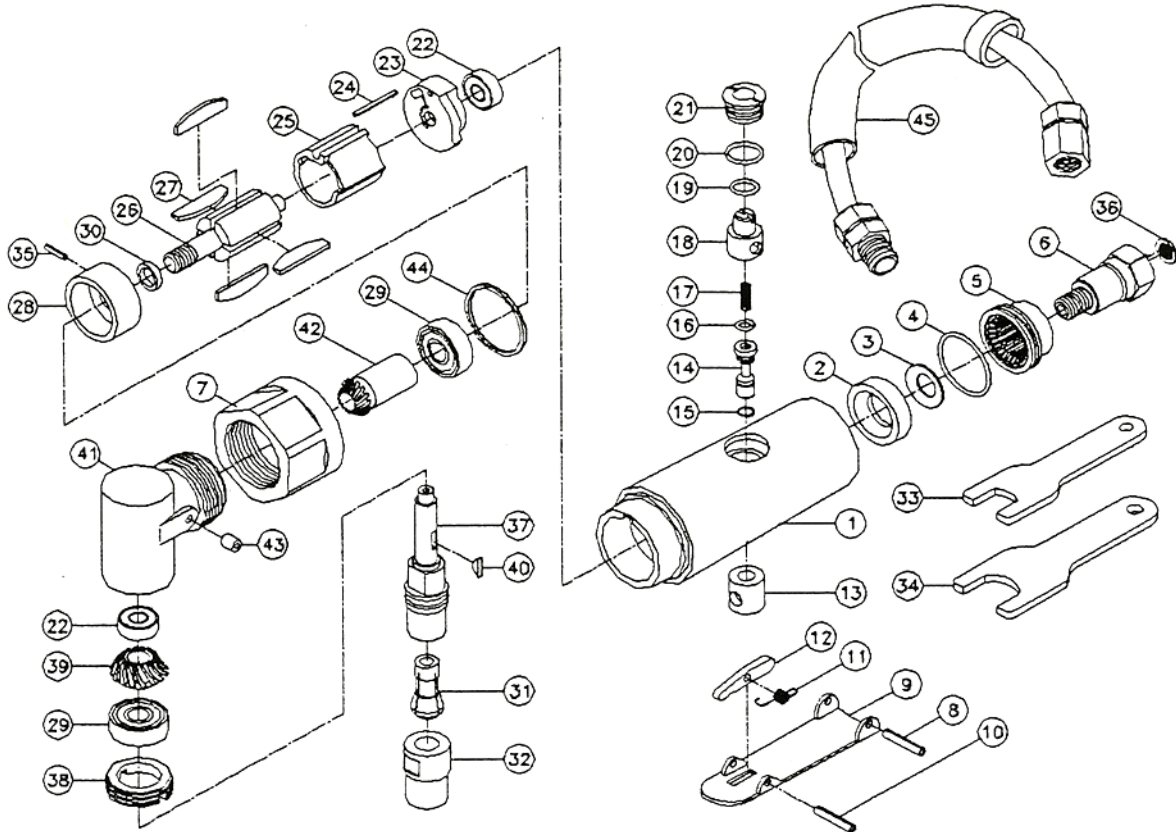


# GP-0549W/0549HW ANGLE DIE GRINDER



**PARTS DESCRIPTION**  
**NO.**

- 01. MOTOR HOUSING
- 02. SILENCER
- 03. WASHER
- 04. "O" RING
- 05. DEFLECTOR
- 06. AIR INLET
- 07. HOUSING LOCK RING
- 08. LEVER PIN
- 09. THROTTLE LEVER
- 10. SPRING PIN
- 11. SPRING
- 12. STOP ROD
- 13. VALVE BUSHING
- 14. VALVE STEM
- 15. "O" RING
- 16. "O" RING
- 17. SPRING
- 18. REGULATOR
- 19. "O" RING
- 20. "O" RING
- 21. VALVE SCREW
- 22. BALL BEARING (2)
- 23. REAR END PLATE

**PARTS DESCRIPTION**  
**NO.**

- 24. CYLINDER PIN
- 25. CYLINDER
- 26. ROTOR
- 27. ROTOR BLADE (4)
- 28. FRONT END PLATE
- 29. BALL BEARING (2)
- 30. ROTOR SPACER
- 31. COLLET
- 32. COLLET NUT
- 33. SPANNER WRENCH (11mm)
- 34. SPANNER WRENCH (17mm)
- 35. PIN
- 36. FILTER
- 37. SPINDLE
- 38. CLAMP NUT
- 39. BEVEL GEAR
- 40. KEY
- 41. ANGLE HEAD HOUSING
- 42. PINION
- 43. GREASE FITTING
- 44. COLLAR
- 45. SILCENER